



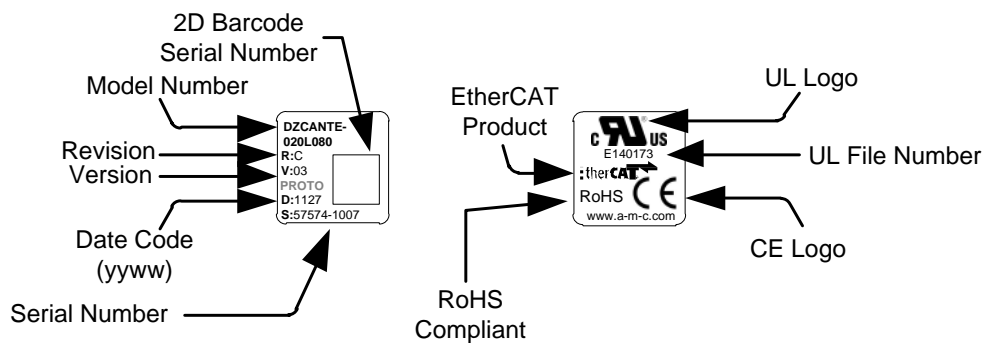
Product Identification

ADVANCED Motion Controls uses 2-dimensional bar code labels to identify the model number and serial number of our servo drives. The following information points out other useful data included on the drive label.

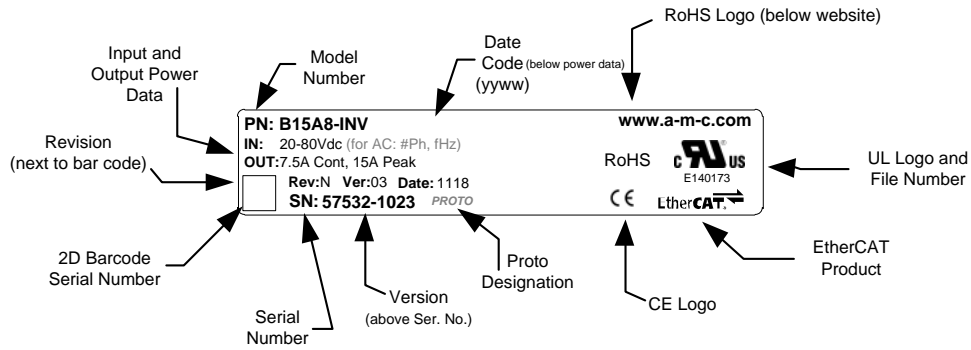
1. Model Number - This is the AMC part number. The model number can have a suffix which designates a special version of the drive (e.g. B15A8 is the standard drive, -INV indicates the special version).
2. Revision Letter – Drive revision letter.
3. Version – The version number is used to track minor upgrades in drives with the same part number and revision letter. Typically users don't need to be concerned with this number.
4. Proto Designation – When included, indicates that the drive is a prototype unit.
5. Serial Number – The serial number consists of a 5-digit lot number followed by a 4-digit sequence number. Each drive is assigned a unique serial number. This number is used to track the manufacture and repair history of the drive.
6. Date Code – The date code is a 4-digit number signifying the year and week that the drive was manufactured. The first two digits designate the year and the second two digits designate the week. For example, the drive label shown would have been built during the 27th week of 2011.
7. Input and Output Power Data (Panel Mount Product Labels only) - These are the basic input and output power parameters of the servo drive.
8. Agency Approvals – Displays the applicable agency and compliance approvals held by the drive. Also lists the UL file number for reference.

Depending on the drive model, there are different label types used as shown below.

PCB-Mount Product Labels



Panel Mount Product Label - #1



Panel Mount Product Label - #2

